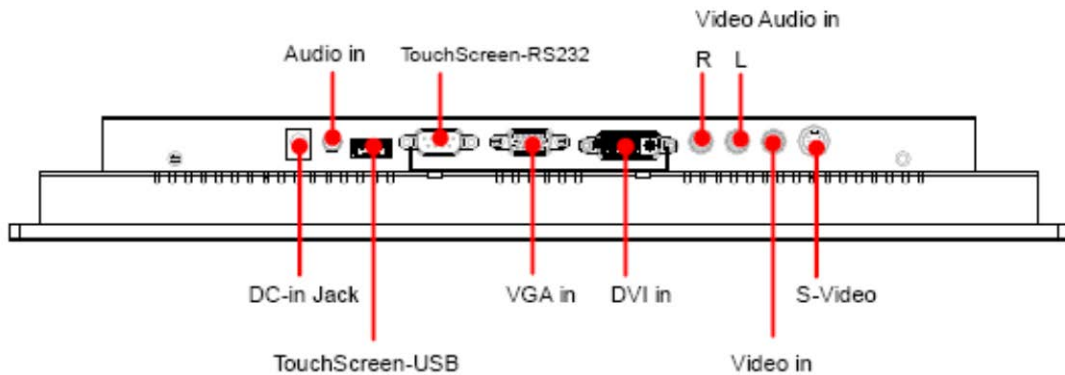


Model: IDPMB-10THB
10.4" Industrial Panel Monitor, with Touch Screen



Main Feature

- 10.4" SVGA TFT LCD Panel support 800 × 600 pixels
- 6mm Aluminum front bezel with strengthen glass
- Rugged construction design
- Input signal : VGA + DVI + Audio + Optional: Video-In (RCA and S-Video)
- Build in 2 x 2 Watts stereo speaker
- OSD control keys to optimize the display
- NEMA4 / IP 65 compliant front panel
- AC 100-240V wide range external AC adapter
- Panel mounting with clip
- Meet standard VESA hole (75x75 mm), support desktop stand/wall mount /swing arm mounting

Specification	
Product Model	IDPMB-10THB
LCD Panel	Display Type : 10.4" SVGA TFT LCD Resolution : 800 × 600 Max. color : 262K Luminance : 400 cd/m2

	View Angel : 100° (H) , 120° (V) Pixel Pitch : 0.264 x 0.264 mm Contrast Ratio : 500 : 1 Response Time : 25 ms Power Consumption : 8.3W LCD MTBF : 50,000hrs
Signal Input	VGA (15 pin D-sub connector) + DVI (DVI-D) + audio input (audio jack)
Protect Glass	3 mm strengthen glass
Speaker	Built-in 2x stereo speakers(2watt)
OSD	Brightness, Contrast, H/V Position, Color, Phase, Clock, auto tune and recall
Touch Screen	Internal USB or RS-232 interface controller Type: Analog resistive type : 25VDC ≥ 20MΩ Resolution: continuous Light transmission: 80% or more Power consumption:<5V @1mA Surface hardness : 3H Operating force : ≤100g Life expectancy : 35 Million Operation system : Window 2000 / XP / Vista / 7 / CE, DOS , Linux
Signal Connectivity (optional)	Video-In (RCA and S-Video)
DC Power Input (optional)	Wide range DC 7V-28V input
Power Supply	Input: 100-240VAC,50/60Hz Output: DC12V@ 4A /48W ,external ac adapter
Construction	Heavy duty steel and aluminum front panel
Environment	Operating temperature: 0 °C to 50 °C Storage temperature: -20 °C to 60 °C Storage humidity: 10% to 95%, non-condensing Vibration: 17 to 500HZ 1G PTP Shock: 1G /peak(11m sec)
Safety	CE/FCC/Rohs
Dimension W x H x D (mm)	Dimensions: 300 x 230 x 38 mm
Weight	NET weight: 3.2KG; Gross weight: 5.2KG

Ordering Information

IDPMB-10THB	10.4" Industrial Panel Monitor, with Touch Screen
Optional: DC	Support DC input (7-28VDC)
Optional: AV	Support AV Input (S-Video, RCA)

Structure Diagram Unit: mm

