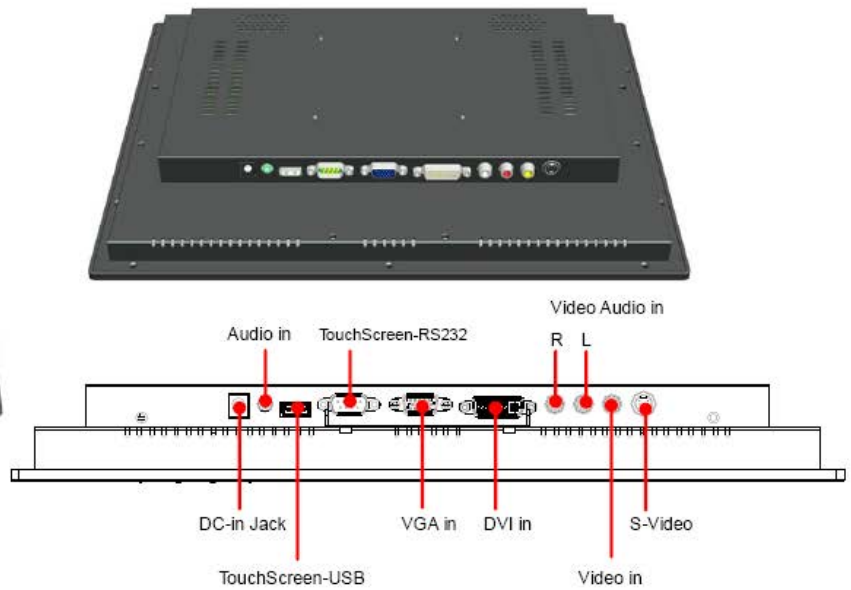


**Model: IDPMB-15**  
**15" Industrial Panel Monitor**



**Main Feature**

- 15" XGA TFT LCD Panel support 1024 × 768 pixels
- 6mm Aluminum front bezel with strengthen glass
- Rugged construction design
- Input signal : VGA + DVI + Audio
- Build in 2 x 2 Watts stereo speaker
- OSD control keys to optimize the display
- NEMA4 / IP 65 compliant front panel
- AC 100-240V wide range external AC adapter
- Panel mounting with clip
- Meet standard VESA hole ( 100x100 mm ), support desktop stand/wall mount /swing arm mounting

Specification	
Product Model	IDPMB-15
LCD Panel	Display Type : 15" XGA TFT LCD Resolution : 1024 x 768 Max. color : 16.2M Luminance : 350 cd/m2 View Angel : 178°(H), 160°(V) Pixel Pitch : 0.297 x 0.297 mm Contrast Ratio : 700 : 1 Response Time : 8 ms LCD MTBF : 50,000hrs
Signal Input	VGA ( 15 pin D-sub connector ) + DVI (DVI-D) + audio input ( audio jack )
Protect Glass	3 mm strengthen glass

Speaker	Built-in 2x stereo speakers (2watt)
OSD	Brightness, Contrast, H/V Position, Color, Phase, Clock, auto tune and recall
Signal Connectivity ( optional )	AV input (S-Video and RCA)
DC Power Input ( optional )	Wide range DC 7V-28V input
Power Supply	Input: 100-240VAC,50/60Hz Output: DC12V@ 5A /60W, external AC adapter
Construction	Heavy duty steel and aluminum front panel
Environment	Operating temperature: 0 °C to 50 °C Storage temperature: -20 °C to 60 °C Storage humidity: 10% to 95%, non-condensing Vibration: 17 to 500HZ 1G PTP Shock: 1G /peak( 11m sec)
Safety	CE/FCC/Rohs
Dimension W x H x D ( mm )	Dimensions: 375 x 300 x 42 mm
Weight	NET weight: 5KG; Gross weight: 7KG

## Ordering Information

IDPMB-15	15" Industrial Panel Monitor
Optional: DC	Support DC input (7-28VDC)
Optional: AV	Support AV Input (S-Video, RCA)

## Structure Diagram

